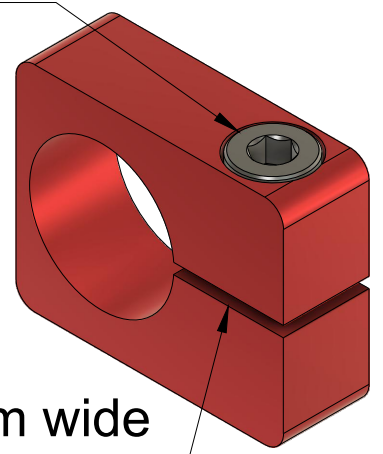
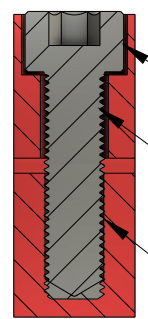


M8 x 25 long SHCS



Slit, 2 mm wide (nominal)

Section AA



Dia 14 c'bore hole

Dia 9 clearance hole.

Tap M8 x 1.25

Linish corners R3.5 nominal.

HANDYMAN - BACKSTOP COLLAR
 Material: BMS flat bar 50 x 16 mm
 Design: A Bottomley 21 July 2020